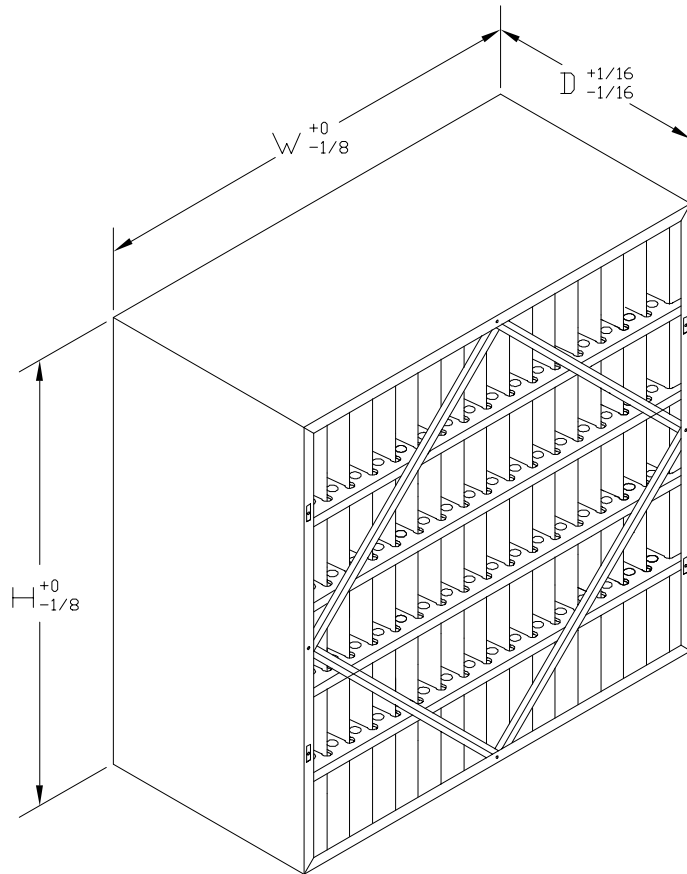


Model Number*	Nominal Size (Inches) H x W x D	Actual Size (Inches) H x W x D	Rated Air Flow (CFM)	Initial Resistance (IN W.G.)				Media Area (Square Feet)
				90-95%	80-85%	60-65%	50-55%	
AC_-0012	20 x 20 x 12	19-3/8 x 19-3/8 x 11-1/2	1400	.72	.62	.40	.35	39
AC_-4212	24 x 12 x 12	23-3/8 x 11-3/8 x 11-1/2	1000	.72	.62	.40	.35	28
AC_-4012	24 x 20 x 12	23-3/8 x 19-3/8 x 11-1/2	1650	.72	.62	.40	.35	47
AC_-4412	24 x 24 x 12	23-3/8 x 23-3/8 x 11-1/2	2000	.72	.62	.40	.35	58
AC_-0006	20 x 20 x 6	19-3/8 x 19-3/8 x 5-7/8	700	.72	.62	.40	.35	20
AC_-4206	24 x 12 x 6	23-3/8 x 11-3/8 x 5-7/8	500	.72	.62	.40	.35	15
AC_-4406	24 x 24 x 6	23-3/8 x 23-3/8 x 5-7/8	1000	.72	.62	.40	.35	30

_ Insert Filter Efficiency Code (95= 90-95%, 85 = 80-85%, 60 = 60-65%, 50 = 50-55%). Example: AC95-4412 is 90-95%, 24x24x12 Nominal Size.



STANDARD CONSTRUCTION

1. High Efficiency, High Loft Microglass Filter Media
2. Expanded Metal Pleat Supports
3. Adhesive Seal on All Four Media Pack Sides
4. 24 Gauge Galvanized Steel Cell Sides
5. Plastic Fingers Maintain Pleat Spacing
6. Diagonal Support Braces on Air Entering and Air Leaving Sides for Additional Rigidity
7. (4) Retainer Holes for Spring Latches, Both Sides

NOTES

1. Average Efficiency, MERV
 - 90-95% ASHRAE 52.1-1992, MERV 14 ASHRAE 52.2-1999
 - 80-85% ASHRAE 52.1-1992, MERV 13 ASHRAE 52.2-1999
 - 60-65% ASHRAE 52.1-1992, MERV 11 ASHRAE 52.2-1999
 - 50-55% ASHRAE 52.1-1992, MERV 10 ASHRAE 52.2-1999
2. Final Resistance: 1.5" W.G.
3. Rated Velocity 12" Deep - 500 FPM
4. Rated Velocity 6" Deep - 250 FPM
5. Class 2 Filter Per U.L. Standard 900
6. Maximum Operating Temperature: 180 deg. F
7. Optional Gasket Available, note "F" in the model number
 - U - Upstream Gasket (Ex: AC95F 24x24x12-U)
 - D - Downstream Gasket
 - UD - Both Sides
8. Special Sizes Not Available

Purolator
 P.O. Box 32578
 Louisville, KY 40232
 P: 866-925-2247
 F: 502-961-0930
 www.purolatorair.com

**CONTACT FACTORY TO
 VERIFY REVISION LEVEL**

TOLERANCES UNLESS OTHERWISE SPECIFIED	
FRACTIONAL	-
DECIMAL	-
ANGLES	-
ALL DIMENSIONS IN INCHES	

DRAWING NAME			
AERO CELL			
APPROVED BY		SPECIFICATION NO. MKT-P-00129	
		PAGE 1 OF 1	
SCALE NONE	DWG. SIZE A	REVISION NEW	REVISION DATE 11-09-07
<small>CONFIDENTIAL - DO NOT COPY. THIS MATERIAL IS TRADE SECRET AND PROPRIETARY BEING EXCLUSIVELY OWNED BY CLC AIR. THE EXPRESSION OF THE INFORMATION CONTAINED HEREIN IS PROTECTED UNDER FEDERAL COPYRIGHT LAWS AND ALL COPYING IS PROHIBITED AND MAY BE SUBJECT TO CRIMINAL PENALTIES.</small>			